

# Mechanical Dump Valve

## CV45 Model

The CV45 is a low pressure, mechanical dump valve available with full port and reduced port sizes. It features balanced plug control trim with a quick opening characteristic. The CV45's full port allows for high flow rates, and its soft seat design gives a consistent leak-free shut off.

The CV45 can be used for discharging liquid or gas from separators, treaters, knockouts or other vessels making it a great economical choice for a variety of low-pressure applications.

When paired with an LC70 level control, the CV45 can provide a completely emission free level control/dump system.



All trademarks and service marks used in this document are the property of their respective owners. This Beaumont Manufacturing and Distribution Co. product is exclusively distributed for new equipment packages by FW Murphy in the Natural Gas Compression market.

CV			
Body Size (in.)	2" (.623 Lift)	3" (.664 Lift)	4" (.78 Lift)
Trim Size (in.)			
1"	19.8	19.6	20.1
1-1/2"	33.2		
2"	54.8	56.8	49.9
3"		110.8	122.7
4"			179.4

Valve Weights												
End Connection	2"				3"				4"			
	Globe		Angle		Globe		Angle		Globe		Angle	
	lbs	kg	lbs	kg	lbs	kg	lbs	kg	lbs	kg	lbs	kg
NPT	28	13	22	10	60	27	46	21	100	45	77	35
150 RFF	36	16	31	14	75	34	60	27	114	52	90	41

## Specifications

**Sizes:** 2", 3" and 4"

**Connections:** Female NPT, flanged

**Body Type:** Globe, angle

**Trim Characteristic:** Quick Open

**Trim Size:**

2" Body Size: 2", 1 1/2", 1"

3" Body Size: 3", 2", 1"

4" Body Size: 4", 3", 2", 1"

**Trim Type:** Balanced

**Pressure Rating:**

500 psi - 2", 3", 4" NPT

250 psi - 2", 3", 4" flanged

**Temperature Range:**

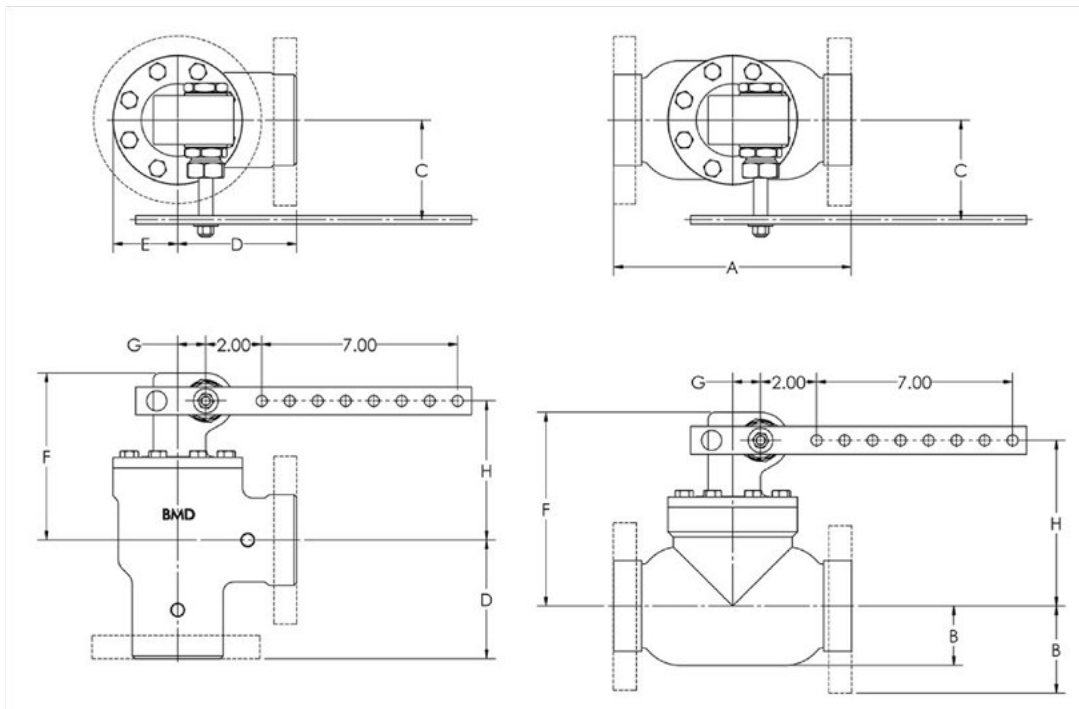
-20° F to 400° F (-29° C to 204° C)

**Materials:**

**Body and Bonnet:** Ductile iron

**Internals:** 304 stainless steel

# Dimensions (inches)



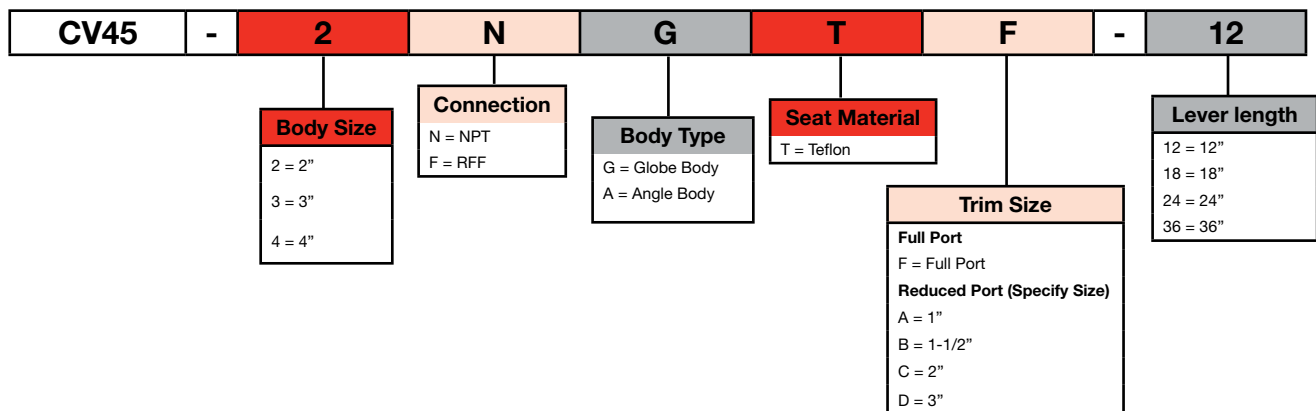
Valve Dimensions													
Body Size (in.)	End Connection	GLOBE						Angle					
		A	B	C	F	G	H	C	D	E	F	G	H
2"	NPT	8.50	2.13	3.57	6.00	1.00	5.00	3.57	4.25	2.31	6.00	1.00	5.00
	150 RFF	9.00	3.06	3.57	6.00	1.00	5.00	3.57	4.25	3.06	6.00	1.00	5.00
3"	NPT	12.00	3.00	3.60	7.29	1.39	5.79	3.60	5.50	3.00	7.29	1.39	5.79
	150 RFF	12.19	3.88	3.60	7.29	1.39	5.79	3.60	5.50	3.88	7.29	1.39	5.79
4"	NPT	15.00	3.75	3.78	10.26	1.39	8.77	3.78	6.50	3.56	10.26	1.39	8.77
	150 RFF	15.13	4.50	3.78	10.26	1.39	8.77	3.78	6.50	4.50	10.26	1.39	8.77

## How to Order

Options are listed below. All configurations may not be available. Call your sales representative or FW Murphy for more information. Repair kits are available.

Example Model No. **CV45-2NGTF-12**

CV45 Series Mechanical Dump Valve, 2" Body Size, Threaded Ends, Globe Body Type, Teflon Seat, Full Port, 12" Lever.



FW Murphy is the exclusive BMD distributor for new equipment packages.