

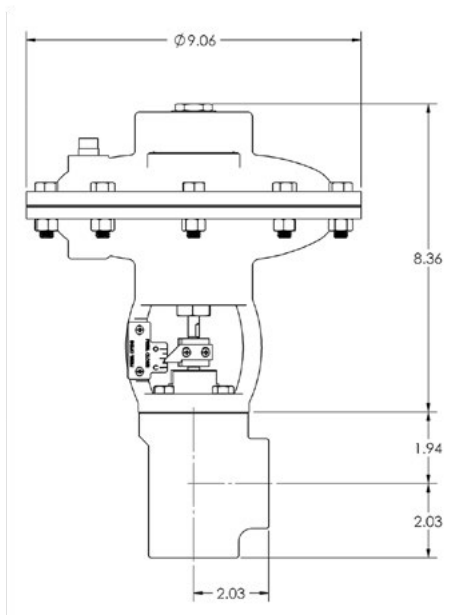
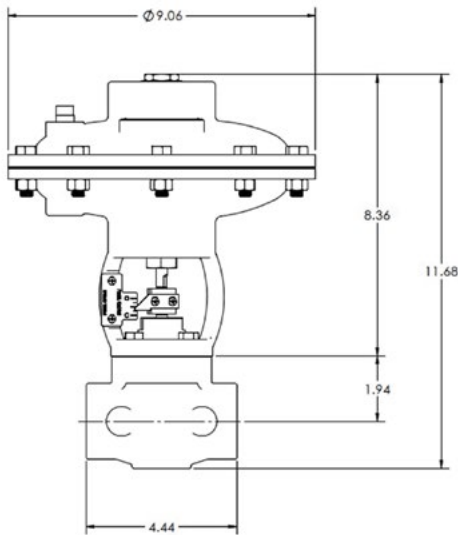
Control Valve

CV14 Model

The CV14 is a rugged, compact control valve featuring a 1" body and field reversible actuator. Typical installations include separators, scrubbers, treaters and other production vessels.

The CV14 makes maintenance easy by allowing the topworks to be removed without taking the valve out of line. Its hardened trim is available in a variety of sizes.

Dimensions (inches)



All trademarks and service marks used in this document are the property of their respective owners. This Beaumont Manufacturing and Distribution Co. product is exclusively distributed for new equipment packages by FW Murphy in the Natural Gas Compression market.

Specifications

- Connection:** 1" female NPT
- Body Type:** Globe, angle
- Trim Characteristic:** Modified percent (throttling)
- Trim Size:** 0.125", .188", .25", 0.375", 0.50"
- Stem Travel:** .50"
- Pressure Rating:** 4000 psi
- Temperature Range:** -20° F to 400° F (-29° C to 204° C)
- Shutoff:** ANSI Class IV
- Actuator Size:** No. 30 (30 in² area)
- Input Signal Range:** 4 - 20 psi
- Materials:**
 - Body:** A216 WCC steel,
 - Packing Plug:** A105 steel zinc plated
 - Trim:**
 - Standard:** 440C stainless ball / D2 tool steel seat
 - Corrosive:** 316 stainless ball / 316 stainless seat
 - Stem:** 304 stainless
 - Actuator Housing:** Ductile iron
- Approximate Weight:** 27 lbs

Cv Values

Cv Values at 100% Open	
Trim Size (in.)	Trim Type
	Throttling
.125	1.1
.188	1.5
0.25	2.0
0.375	3.2
0.50	6.5

Shut-Off Pressures

Reverse-Acting Maximum Shut-Off Pressures

Max Shut-Off Pressures for Reverse-Acting (Fail Closed) Actuators					
Trim Size (in)	Flowing Up		Flowing Down		
	20 psi Spring		20 psi Spring		
		15 psi	20 psi	25 psi	30 psi
0.25	3328	4000	4000	4000	4000
0.375	1696	4000	4000	4000	4000
0.50	823	1575	2682	3789	4000

Direct-Acting Maximum Shut-Off Pressures

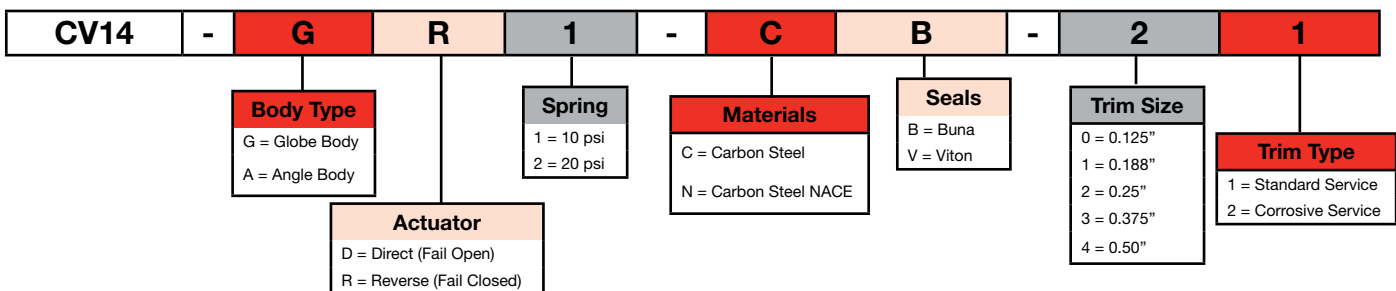
Max Shut-Off Pressures for Direct-Acting (Fail Open) Actuators				
Trim Size (in)	Flowing Up			Flowing Down
	20 psi Spring			20 psi Spring
	20 psi	25 psi	35 psi	
0.25	150	2586	4000	4000
0.375	N/A	1293	3939	4000
0.50	N/A	608	2020	4000

How to Order

Options are listed below. All configurations may not be available. Call your sales representative or FW Murphy for more information. Repair kits are available.

Example Model No. **CV14-GR1-CB-21**

CV14 Series Control Valve, Globe Body, Reverse Actuator, 10 psi spring, Carbon Steel with Buna Seals, 0.25" Standard Trim



FW Murphy is the exclusive BMD distributor for new equipment packages.