

Temperature SWICHGAGE® With Normally Closed Contacts

SPLFNC Series

4-1/2 in. (114 mm) Diameter Dial



- Normally Closed Pilot-Duty Contacts
- Combination Indicating Gage and Critical Limit Switch
- Contacts Rated 250 mA, 28 VDC and Isolated from Case Ground
- Environmentally Sealed
- For Use in Non-Hazardous Areas or Class I, Div. 2 Areas*

Description

The SPLFNC Series SWICHGAGE® uses the same basic sensing mechanisms as our proven line of 4-1/2 in. (114 mm) diameter dial temperature SWICHGAGE® instruments. It retains all of the advantages offered in our SPL Series SWICHGAGE® instruments. The face adjustable contacts, however, are Normally Closed under “normal” operating conditions and trip “open” when set point is reached. This allows for a Normally Closed protective control circuit.

Features

- N. C. High and Low Contacts Rated 250 mA, 28 VDC
- Minimal (approximately 4% of scale) Switch Deadband
- Panel Mounting Case
- Environmentally Sealed
- 4-1/2 Inch (114 mm) Diameter Dial
- Gold-Flashed Silver Contacts
- Contacts Isolated from Case Ground

- Highly Suitable for Murphy (and other) Solid-State TATTLETALE® Annunciators and Logic Controllers, PLC’s, and Micro-processor-based Controllers
- Contact Repeatability ±1% Full Scale
- For Use in Non-Hazardous Areas or Class I, Division 2 Areas; Division 1 Configuration Available.*

Specifications

Limit Contacts:

- 2 SPDT, rated 250 mA, 28 VDC
- Normally Closed when pointer is in normal operating range
- Gold-flashed silver contact
- Contacts are isolated from ground

Capillary: PVC armored copper tube, 5 ft. long (1.5 m). Other capillary materials and lengths available see *How to Order*.

Sensing Bulb:

- Copper bulb: 1/2 in. (13 mm) O.D.
- Length: 7 in. (178 mm)
- Pressure Rating: 600 psi (4.14 MPa) [41.40 bar]
- Connection: 1/2 NPT compression fitting

Wire Leads:

24 AWG x 33 in. (0.22 mm² x 838 mm).

Dial: White on black, dual scale; °F and °C.

Case: Die cast aluminum, panel mount.

Shipping Weight: 8 lbs (3.6 kg).

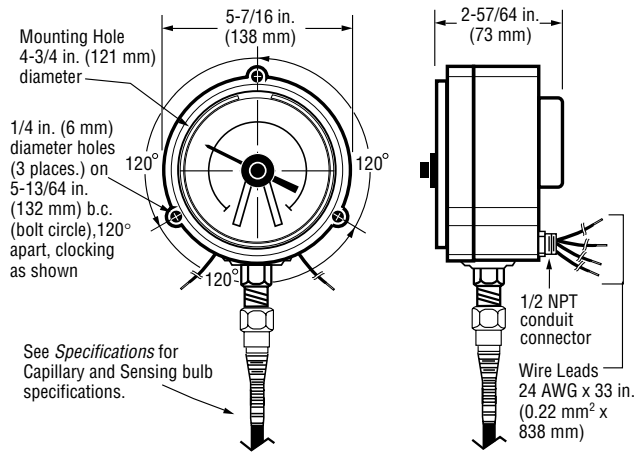
Shipping Dimensions: 16 x 11 x 5-1/2 in. (406 x 279 x 140 mm).

Warranty

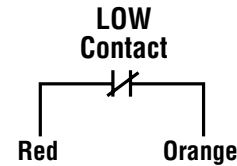
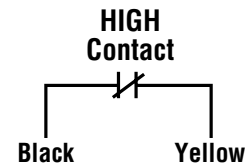
A two-year limited warranty on materials and workmanship is provided with this Murphy product. Details are available on request and are packed with each unit.

* When used with appropriate barrier. Contact Murphy for details.

Dimensions



Electrical



Contact Rating: 250 mA, 28 VDC

How to Order

NOTE: List options in alphabetical order (A to Z). Place a dash (-) between each option. See example below.

SPLFNC - 350 G 10 - EX

<p>Range Specify</p> <p>60 = -60 to 60°F 136 = -40 to 136°F 250 = 15 to 250°F 350 = 130 to 350°F 450 = 260 to 450°F</p>
<p>Armor / Capillary / Bulb Specify</p> <p>P = PVC / Copper / Copper G = Galvanized / Copper / Copper S = Stainless steel / Stainless steel / Stainless Steel T = Stainless steel / Copper / Copper</p>
<p>Capillary Length Specify in feet:</p> <p>05 = 5 feet 10 = 10 feet Indicate other lengths</p> <p>Specify in metres:</p> <p>15M = 1-1/2 metres 2M = 2 metres Indicate other lengths</p>

Options

Specify	
BC	= Capillary tubing exits from back of case
EX	= Explosion-proof; SWICHGAGE® enclosed within explosion-proof case
EL	= Explosion-proof less case; internal gage mechanism only-without case
LC	= Less case; SWICHGAGE® mechanism and hardware connections-without case
SH	= Stainless steel (T18-A) external hardware
TS	= Overrange gear stop

In order to consistently bring you the highest quality, full featured products, we reserve the right to change our specifications and designs at any time.



■ **Frank W. Murphy Manufacturer**
P.O. Box 470248; Tulsa, Oklahoma 74147; USA
tel. (918) 627-3550 fax (918) 664-6146
e-mail fwmurphy@ionet.net

■ **Frank W. Murphy Southern Division**
P.O. Box 1819; Rosenberg, Texas 77471; USA
tel. (281) 342-0297 fax (281) 341-6006
e-mail murphysd@intertex.net

■ **Frank W. Murphy, Ltd.**
Church Rd.; Laverstock, Salisbury SP1 1QZ; U.K.
tel. +44 1722 410055 fax +44 1722 410088 tlx 477088
e-mail sales@fwmurphy.co.uk

■ **Frank W. Murphy Pte., Ltd.**
26 Siglap Drive; Republic of Singapore 456153
tel. +65 241-3166 fax +65 241-8382
e-mail fwmsales@fwmurphy.com.sg

■ **Murphok Pty., Ltd.**
1620 Hume Highway; Campbellfield, Vic 3061; Australia
tel. +61 3 9358-5555 fax +61 3 9358-5558

■ **Murphy de México, S.A. de C.V.**
Blvd. Antonio Rocha Cordero 300, Fracción del Aguaje
San Luis Potosí, S.L.P.; México 78384
tel. +52-48-206264 fax +52-48-206336
e-mail murmexsl@infosel.net.mx

■ **Murphy Switch of California**
P.O. Box 900788; Palmdale, California 93590; USA
tel. (805) 272-4700 fax (805) 947-7570
e-mail sales@murphyswitch.com

■ **Frank W. Murphy France**
tel. +33 1 30 762626 fax +33 1 30 763989