

Lube Level Maintainer – Model LM2000/LM2000S



Features

- Eliminates under/overfill due to “human error”
- See oil level and condition without shutting down
- Simple installation
- Automatically maintains lube level
- Low level, 3-wire, snap-action switch
- Positive sealing Thumb-Valve™

Not intended for use with fuel

Murphy LM2000 model maintains the crankcase oil level of an engine, pump or compressor. Adjusted to the correct running-oil-level, the LM2000 will replenish oil as it is used. An integral, low-level switch will alarm and/or shutdown the equipment if supply oil is lost and the equipment continues to use oil.

Application

The LM2000 maintains oil level on any size engine, as well as installations that require a 3-wire, snap-action switch. Refer to Flow Rate for application data.

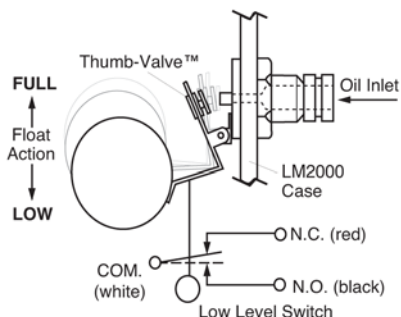
How the LM2000 Maintains Levels

As crankcase oil level drops, the LM2000 float also drops and opens the Thumb-Valve™. This allows oil to flow from the supply tank, through the LM2000, and into the crankcase. When proper level is attained in the crankcase, the LM2000 float rises, causing the Thumb-Valve™ to close off further oil flow.

The simple and unique Thumb-Valve™ is nonclogging and provides a positive, leak-free seal.

Thumb-Valve Operation

If the clean oil supply is depleted and oil level continues to fall, the low level switch will operate an alarm or equipment shutdown.



Specifications

Crankcase Balance Vent Connection: 1/2 NPTF (top).

Inlet Connection: 1/2 NPTF removable screen (side).

Outlet Connection:

LM2000 3/4 NPTF (bottom)

LM2000S 2 x 3/8 NPTF (side)

1 x 3/4 NPTF (bottom)

Thumb-Valve™ Material: Viton.

Snap-switch: SPDT rating 10 A, 125 VAC; 0.5 A, 125 VDC; 10 A, 30 VDC.

Wire leads: 18 AWG x 14 in. ± 2 in. (355 mm) length.

Conduit Connection: 1/2 inch conduit (female, top).

Case: Die cast aluminum

Lens: Clear “Frog Eye” non-staining, high impact, high temperature polycarbonate; UV and heat stabilized.

Dial: High visibility white background with green and white “index” lines for normal level indication.

Maximum Inlet Pressure: 9.50 psi/25 ft. oil (head pressure).

Maximum Case Pressure: 15 psi (103 kPa).

Maximum Differential: 2 in. (51 mm) between running and stopped.

Maximum Ambient Temperature: 250°F (121°C).

Float: Brass

Flow Rates: SAE 40 motor oil @ 32°F (0°C) with 2 ft. head pressure: 0.5 GPH

Dimensions: Overall 4-5/8 inch tall x 2-7/8 inch deep. For exact dimensions, refer to document “00-02-0423 LM2000 Installation Instructions”.

LM2000/LM2000S Shipping Dimensions: 9 x 5-1/2 x 6 in. (229 x 140 x 152 mm).

LM2000/LM2000S Shipping Weight: 3 lbs. 6 oz. (1.5 kg)

NOTE: Friction losses due to piping not considered.

Mounting Brackets with Hardware

Murphy offers two mounting brackets for the LM2000. The 15000238 Pipe Bracket Kit fits a 7/8 in. (22 mm) diameter pipe (see typical installation below). The 15010224 universal Flange Kit allows various mounting methods. For exact dimensions, refer to document "00-02-0423 LM2000 Installation Instructions".

How to Order

Specify model **LM2000 LM2000S**

Accessories (Specify part number)

Description	Part Number
Vent Fittings Kit	15000954
Hose Kit	15000355
1/2NPT x 1/2 in. Hose Barbed Fitting	89080801
3/4NPT x 1 in. Hose Barbed Fitting	89081001
3/8NPTF x 1/2 in. Hose Barbed Fitting	89080601
Pipe Bracket Kit	15000238
Universal Flange Kit	15010224

Optional Vent Fitting Kit: 15000954

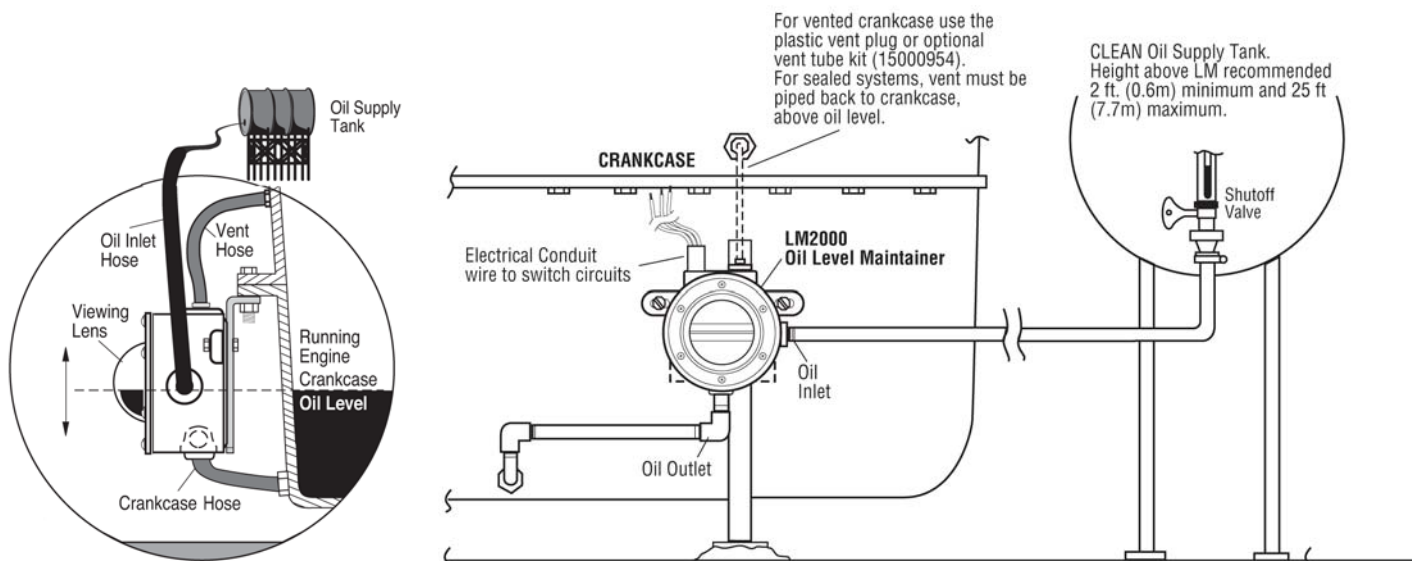
Kit sold separately—includes the following items:

- 1 Tubing vent (15050202).
- 1 1/4 x 1/2 NPT Connector (85030447).

Optional Hose Kit: 15000355

- 1 1/2 in. (13 mm) I.D. x 3 ft. (914 mm) long hose (89020202)
- 1 1 in. (25 mm) I.D. x 3 ft. (914 mm) long hose (89020203)
- 2 1/2 in. (13 mm) worm gear clamp (00003502)
- 2 1 in. (25 mm) worm gear clamp (00003503)
- 2 1/2 NPT x 1/2 in. (13 mm) barbed fitting (89080801)
- 2 3/4 NPT x 1 in. (25 mm) barbed fitting (89081001)

Typical Installation



FW MURPHY

P.O. Box 470248
Tulsa, Oklahoma 74147 USA
Phone: +1 918 317 4100 Fax: +1 918 317 4266
E-mail: sales@fwmurphy.com

INDUSTRIAL PANEL DIVISION

Fax: +1 918 317 4124
E-mail: ipdsales@fwmurphy.com

MURPHY POWER IGNITION

Web site: www.murphy-pi.com

CONTROL SYSTEMS & SERVICES DIVISION

P.O. Box 1819
Rosenberg, Texas 77471 USA
Phone: +1 281 633 4500 Fax: +1 281 633 4588

FRANK W. MURPHY LTD.

Church Road, Laverstock
Salisbury, SP1 1GZ, UK
Phone: +44 1722 410055 Fax: +44 1722 410088
E-mail: sales@fwmurphy.co.uk
Web site: www.fwmurphy.co.uk

COMPUTRONIC CONTROLS

41 - 43 Railway Terrace
Nechells, Birmingham, B7 5NG, UK
Phone: +44 121 327 8500 Fax: +44 121 327 8501
E-mail: sales@computroniccontrols.com
Web site: www.computroniccontrols.com

www.fwmurphy.com

FW MURPHY INSTRUMENTS (HANGZHOU) CO., LTD.

77 23rd Street
Hangzhou Economic & Technological Development Area
Hangzhou, Zhejiang, 310018, China
Phone: +86 571 8788 6060 Fax: +86 571 8684 8878
E-mail: apsales@fwmurphy.com



USA-ISO 9001:2000 FM 28221
UK-ISO 9001:2000 FM 29422
Registered Facilities

ISO 9001
REGISTERED

Printed in U. S. A.

08/20/09

Warranty - A limited warranty on materials and workmanship is given with this FW Murphy product. A copy of the warranty may be viewed or printed by going to www.fwmurphy.com/support/warranty.htm