

Murphymatic® TR Series Transformer Relay Assemblies

The Murphy TR Series Transformer Relay Assemblies are electric motor controllers. Models are available for emergency shutdown, start and stop only, start and stop with emergency shutdown and combinations of the above models with time delay.

All TR Series internal control circuits are completely pre-wired and relays are plug-in type to facilitate field servicing.

The NEMA 1 enclosure is standard on all TR Series models. The NEMA 3 weatherproof enclosure and LC Less Case versions are optional.

Murphy Swichgage® instruments for pressure, temperature, level etc., can be used with the TRs for semiautomatic or totally unattended operation and control of your electric motor powered equipment.

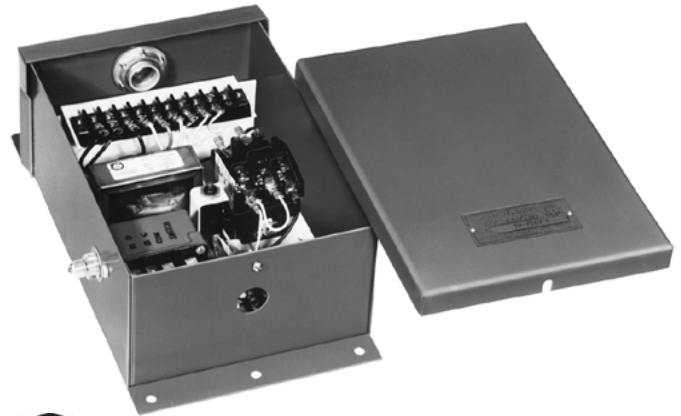
A set of normally open, dry relay contacts controlled by a 24 VAC relay coil controls the magnetic motor starter holding coil up to 480 volts. The high voltage contacts are completely isolated from the low voltage control to help reduce electrical hazards.

Features

- Heavy-duty transformer with multiple primary taps for easy connection to most any available AC power sources.
- 24 VAC low voltage secondary control circuit with terminals for remote auxiliary switches.
- Plug-in relays have three SPDT silver cadmium oxide contacts providing long life reliability.
- Power relay has extra heavy silver cadmium oxide contacts rated 10 amp, 480 VAC.
- When TR is used with a Murphy Analog Swichgage, it allows for visual reading of operating conditions and provides an adjustable differential between high and low settings throughout the Swichgage dial range.

Applications

The TR Series transformer relay assemblies are ideal for controlling a variety of electric motor driven applications. They are recommended for use on saltwater disposal systems, waterflood systems and many others. Model TR-1762 used in conjunction with model OPLHC Tank Level Controller and an OPLC Series discharge pressure can completely automate a salt water disposal pump.



Specifications

Transformer:

Primary (power supply) with triple taps for 120/240/480 VAC
50/60 Hz

Secondary (control supply) 24 VAC

Power Rating: 25 VA

Terminal Blocks:

High Voltage rated at 30 A, 600 V

Low Voltage rated at 20 A, 300 V

Control Relays: Plug-in, 120 V, 10 A contact rating

Contacts:

Power (holding): 10 A, 480 VAC, SPST

Control (auxiliary): 480 VAC, 690 VA pilot duty

Conduit: Top: 3/4 in. hub; Bottom 1/2 in. hole

Approximated Shipping Dimensions:

NEMA 1; NEMA 3; and "LC" Less Case:
15 x 15 x 7 in. (381 x 381 x 178 mm)

Approximated Shipping Weight:

NEMA 1: 18 lb. (8.16 kg)

NEMA 3: 22 lb. (10 kg)

"LC" Less Case: 14 lb. (6.35 kg)

TR Assemblies

Models and Functions

TR7207 — Used for emergency shutdown of electric motors driven equipment which are manually started.

Tattletale® indicates shutdown and locks out power until the malfunction is corrected and the Tattletale is reset. A momentary power failure during shutdown will not void the lockout feature. For use with standard, normally open, one-wire to ground Murphy Switchgag instruments.

TR7208 — Same as TR7207 except used with normally closed, ungrounded Switchgag instruments which open for shutdown.

TR9193 — Same as TR7207 with adjustable time delay, which locks out shutdown functions for up to 10 minutes, to allow pressures and temperatures to reach normal range after start-up.

TR1760 — Used with electric motors or driven equipment which is started and stopped from a remote, normally open Switchgag.

TR1761 — Includes the same features as the TR1760 plus provisions for

operating remote panel lights or audible alarms. Also includes emergency shutdown and lockout from a remote, normally open, one wire to ground Switchgag.

TR1762 — Same as TR1761 with adjustable time delay lockout of shutdown functions, for up to 10 minutes, during start-up.

NOTE: TR1760, TR1761 and TR1762 comply with National Electrical code 1975, Article 430-73.

Some models have been discontinued and replaced by other models:

Discontinued	Replacement
TR-5171	TR1760
TR-7159	TR1761
TR-9195	TR1762

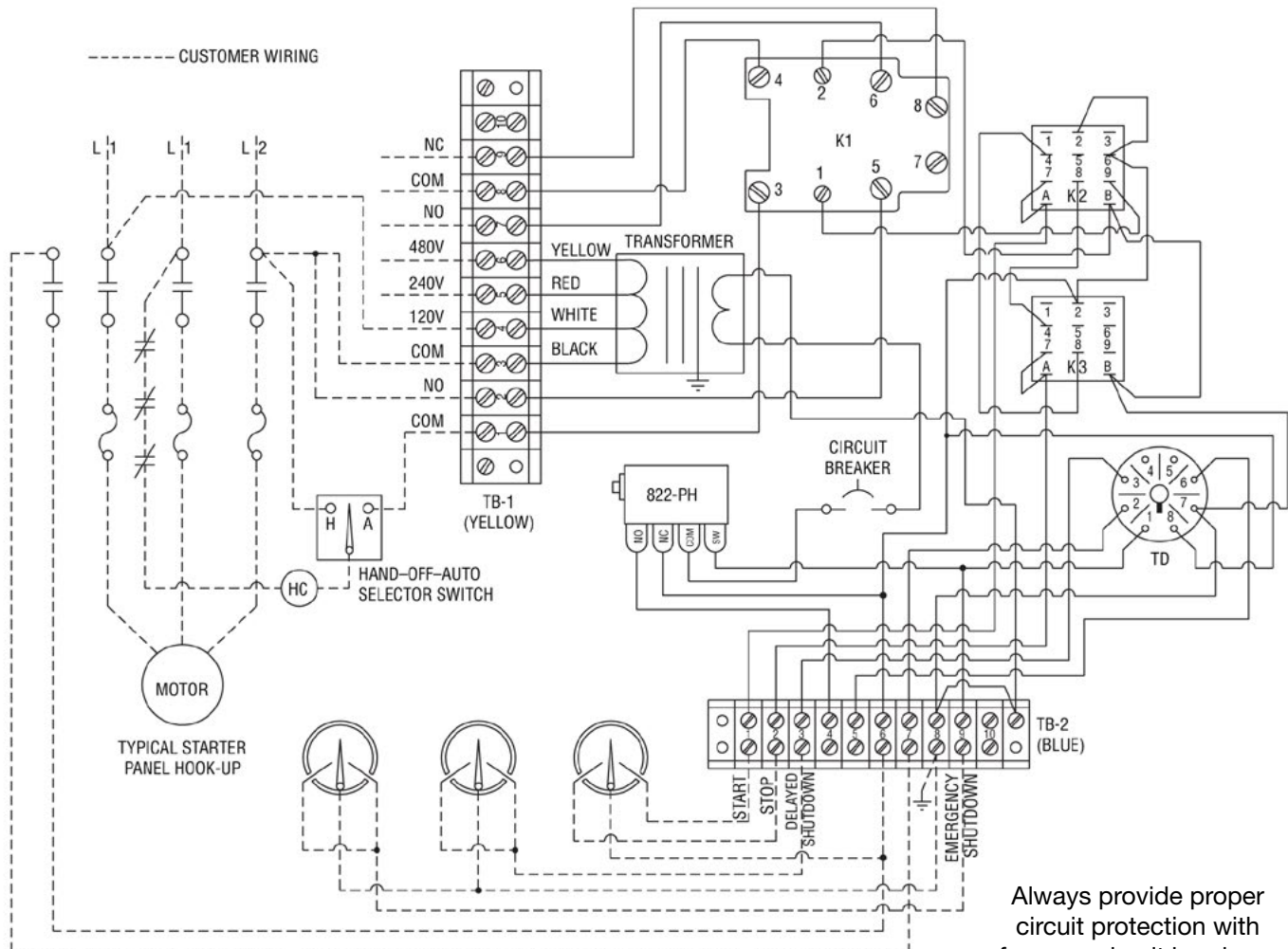
To order TR assemblies use the appropriate model number

Warning: Before beginning installation of this Murphy product:

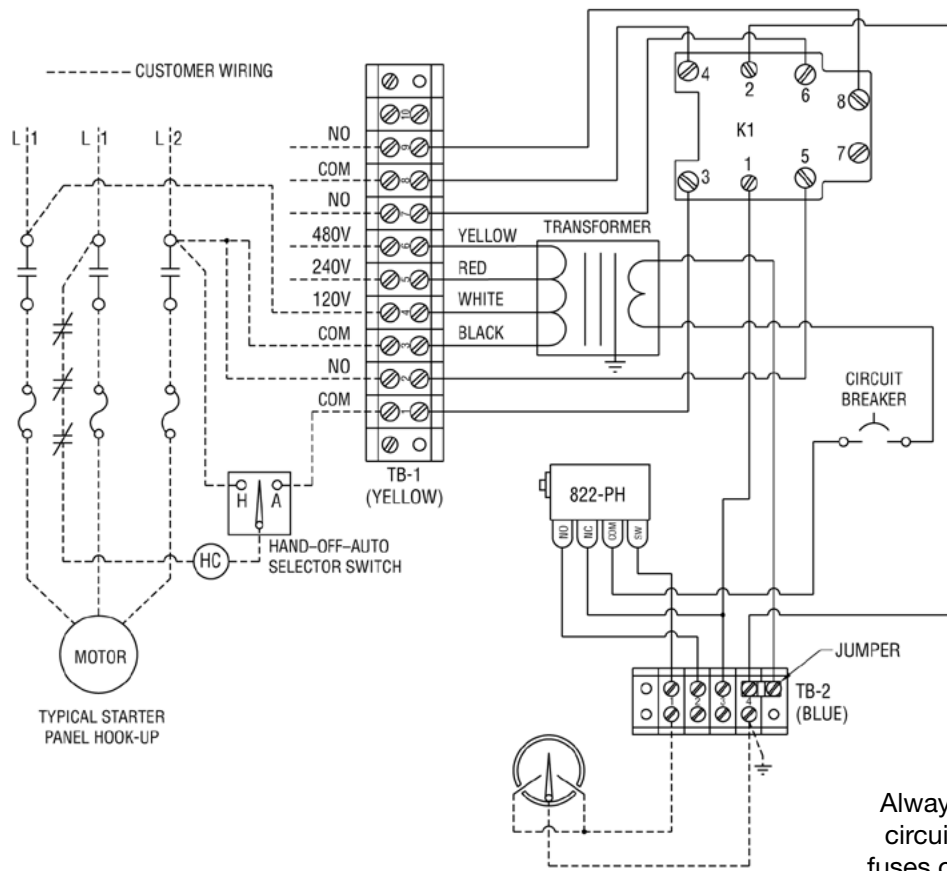


1. Disconnect ALL electrical power to the machine.
2. Make sure the machine CANNOT operate during installation.
3. Follow all safety warnings of the machine manufacturer.

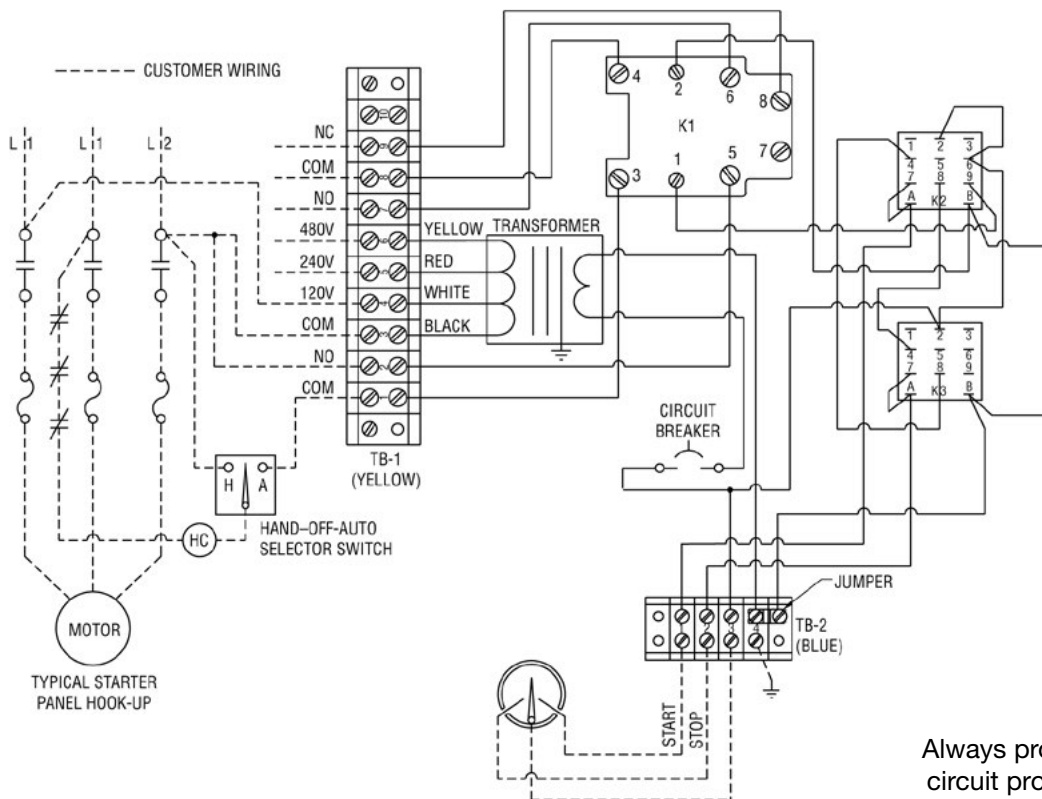
TR1762



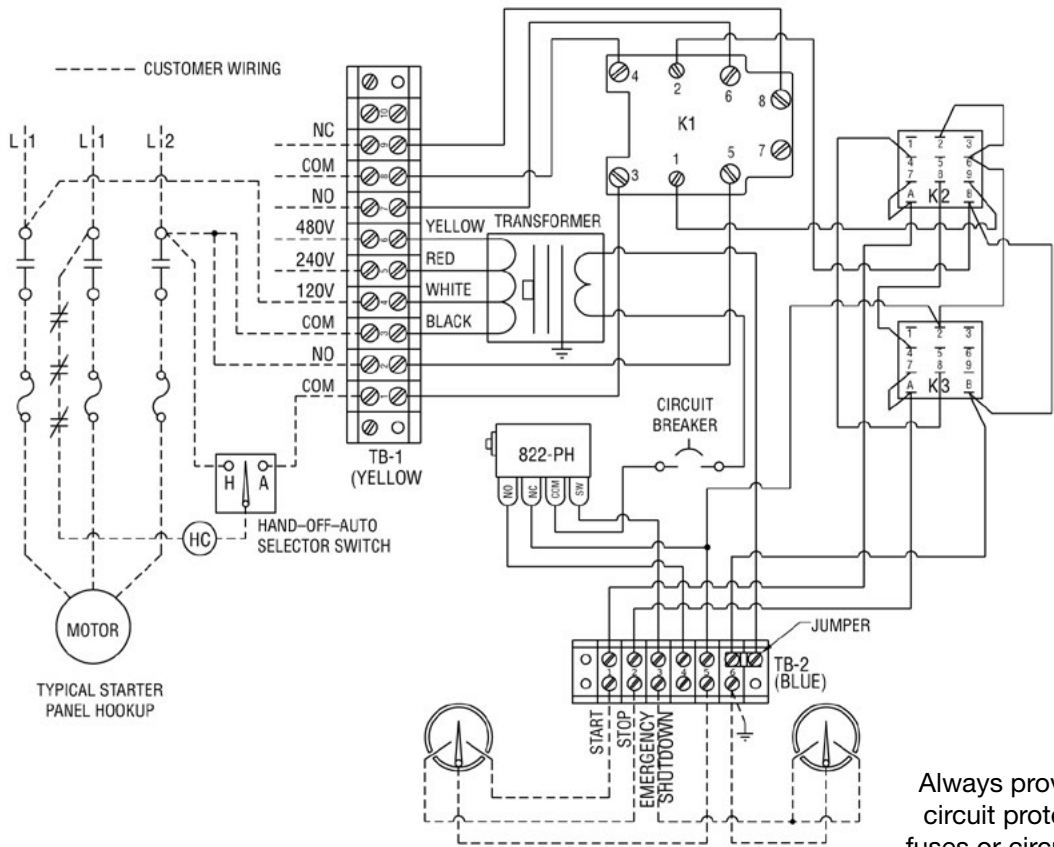
Always provide proper circuit protection with fuses or circuit breakers.



Always provide proper circuit protection with fuses or circuit breakers.



Always provide proper circuit protection with fuses or circuit breakers.



Always provide proper circuit protection with fuses or circuit breakers.

How to Order

Part Number	Model and Description	Notes
Specify Model Number	TR7207	
	TR7208	
	TR9193	
	TR1760	Replaces TR-5171
	TR1761	Replaces TR-7159
	TR1762	Replaces TR-9195