

Lead Line Pressure Gage

Model PT167EX 4-1/2 in. (114 mm) Diameter Dial

The PT167EX is a pressure gage instrument connected to a threaded pressure diaphragm housing. The gage is enclosed in an explosion-proof case and is CSA rated for Class I, Division 1, Groups C and D.

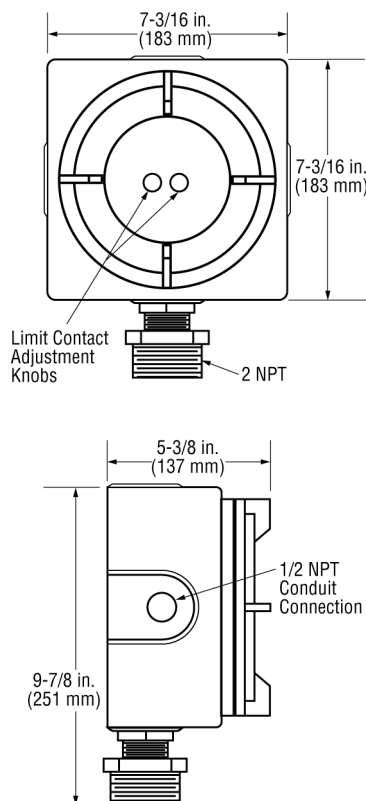
The gage is a pressure-indicating gage with adjustable low and high pressure limit switches. When the gage pointer touches the low or high limit switches, an electrical circuit is completed which can operate alarms and/or shut down equipment.

The 2 NPT, sealed diaphragm housing is attached directly to the gage connection. The diaphragm housing is filled with a silicone fluid so that pressure against the diaphragm causes the gage instrument to respond. The housing seals the gage sensing element from the medium being measured.

Applications include highly viscous liquids such as crude oil on lead line applications.



Dimensions



* The PT167EX is CSA listed.

† Products covered by this bulletin comply with EMC Council directive 89/336/EEC regarding electromagnetic compatibility as noted.

Specifications

Case: Explosion-proof, sand cast aluminum. Lens is removable.

CSA Listed for Class I, Division 1, Groups C and D.

Contact Rating: 0.1 A, 125 VAC

Dial: 4-1/2 in. (114 mm) white on black, dual scaled psi/kPa.

Ranges: See How to Order

Gage Accuracy: ±3% full scale

Process Connection: 2 NPT

Maximum Pressure: 30% overpressure

Diaphragm Housing: Plated steel, Ni-Span®; silicon filled

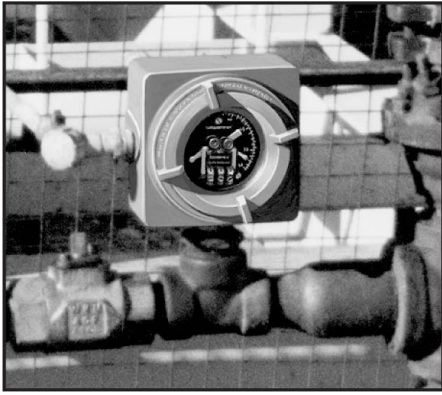
Diaphragm Fluid: Silicone 200

Shipping Weight: 16.5 lb (7.5 kg)

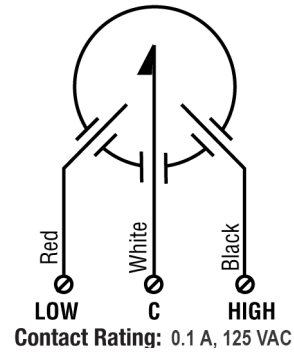
Shipping Dimensions: 12 x 12 x 9 in. (305 x 305 x 229 mm)

Typical Installation

This photo shows the PT167EX installed in a lead line. For optimum effectiveness, the PT167EX should be installed ahead of all other devices or valves. By positioning it immediately adjacent to the well outlet, the gage monitors the entire lead line, sensing any blockage whether build up of sludge in the line or an accidental closed valve. The pressure transmitter threads into a 2 NPT T on the lead line.



Internal Wiring



How to Order

Options listed below. All configurations may not be available. Call your sales representative or FW Murphy for more information.

PT167EX - S - 600

Bourdon Tube and Socket Material/Size			
Specify	Tube and Socket Material	Tube Type	Range Selection Limits
A	Grade A Phosphor Bronze Tube Brass Socket	C-Tube	Thru 1000 psi (6.89MPa) [68.95 bar]
S	316 Stainless Steel Tube and Socket		

Ranges		
Specify	Vacuum/psi	kPa/MPa
600	0-600 psi	0-4.14 MPa
1000	0-1000 psi	0-6.89 MPa

Shipping Weight and Dimensions		
Model	Weight	Dimension
PT167EX	16.5 lb (7.5 kg)	12 x 12 x 9 in. (305 x 305 x 229 mm)

Part Number	Description	Notes
05000610	Tamper-proof Contact Accessory	