

# Dump Valves

## DVU Series

The DVU Series features pneumatically controlled dump valves. The valves open and close automatically by pneumatic control from FW Murphy level controller and dump valve operator. Diaphragm actuated, the DVU series dump valves operate at 30–70 psi (207–483 kPa) [2.07–4.83 bar] and up to 2000 psi (13.8 MPa) [138 bar] vessel pressure (depending on the model).

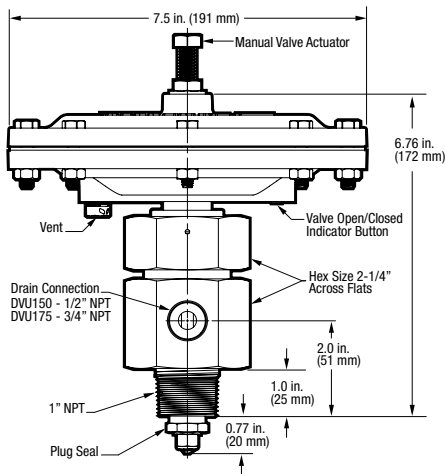
A key benefit of this design is a hex union that provides the ability to replace the seat without removing the valve from piping.

The DVU Series is compatible with FW Murphy level controllers. They feature a soft seat valve and manual valve operator.

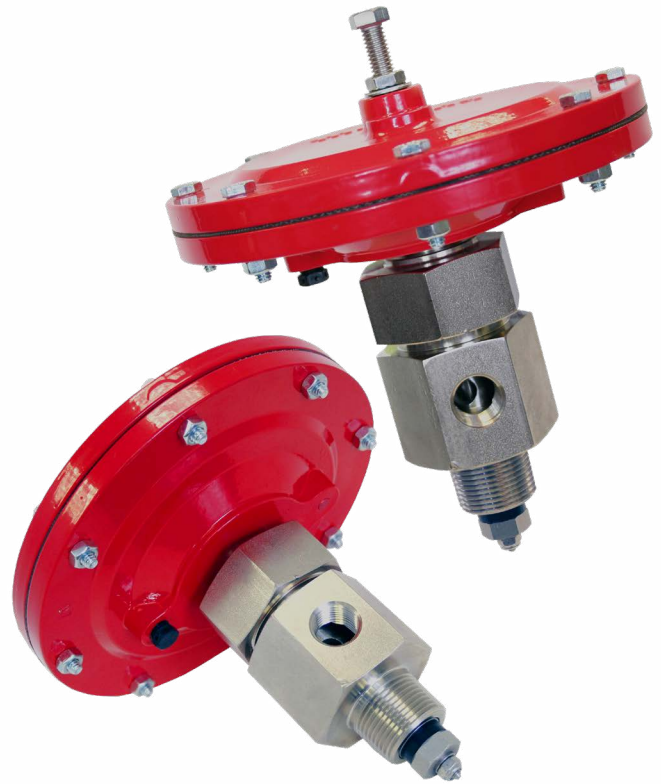
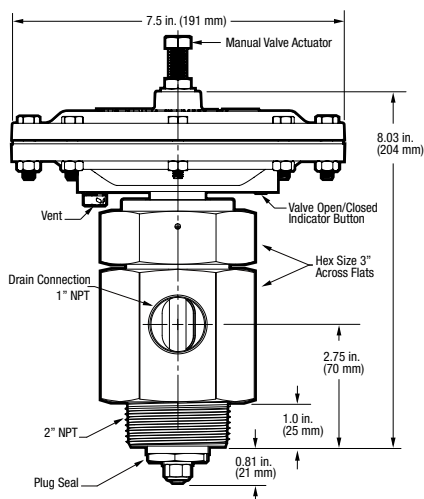
Designed for gas compressor scrubbers, the DVU Series can be used to dump any liquids compatible with its materials of construction.

### Dimensions

#### DVU 150 and 175



#### DVU 2105, 2115 and 2120



### Specifications

**Operating Temperature:** -30° to 250°F (-34.4° to +121°C)

**Valve Operating Pressure:** See How to Order

**Maximum Working Pressure:**

**DVU150/175 (STD & SS):** 1800 psi (12.4 MPa) [124 bar]

**DVU2105:** 500 psi (3.44 MPa) [34 bar]

**DVU2115:** 1500 psi (10.3 MPa) [103 bar]

**DVU2120:** 2000 psi (13.8 MPa) [138 bar]

**Wetted Parts**

**Standard Models:**

**Body/Union Nut:** 12L14 carbon steel, electroless nickel-plated

**Stem:** ANSI 303 SS

**Stuffing Box:** ANSI 303 SS

**Seat:** ANSI 303 SS

**Plug/Seal:** ANSI 303 SS / 95 durometer urethane

**Stainless Steel Models:**

**Body/Union Nut:** ANSI 316 SS

**Stem:** ANSI 316 SS

**Stuffing Box:** ANSI 316 SS

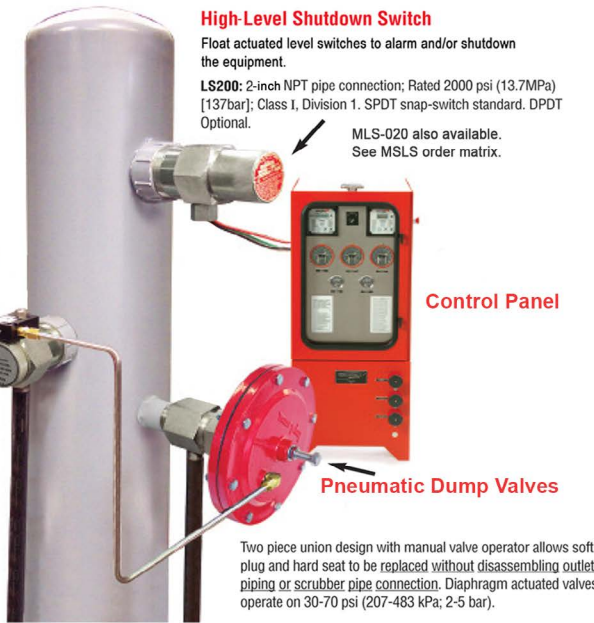
**Seat:** ANSI 316 SS

**Plug/Seal:** ANSI 316 SS / 95 durometer urethane

# Scrubber Level Systems (SLS)

## The FW Murphy Gas Compressor Scrubber Level System (SLS)

The system provides for liquid control in gas scrubber applications, by dumping liquids to drain and protecting compressors with a high liquid level switch. Wetted metal parts are made to survive constant use in corrosive environments.



(Includes LS200, LS200NDVOR and DVU valve)

**SLS2120:** Includes DVU2120 valve

**SLS2115:** Includes DVU2115 valve

**SLS175:** Includes DVU175 valve

**SLS150:** Includes DVU150 valve

-LR: Less regulator option available

(Includes MLS-020, LS200NDVOR and DVU valve)

**MSLS2120:** Includes DVU2120 valve

**MSLS175:** Includes DVU175 valve

**MSLS150:** Includes DVU150 valve

-LR: Less regulator option available

-TF: Test function option available

with MSLS150

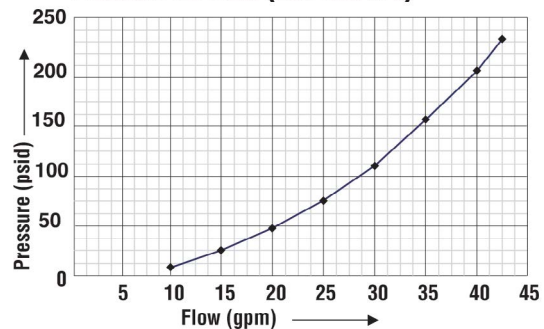
## How to Order

| Part Number      | Model and Description        | Notes            |
|------------------|------------------------------|------------------|
| Use Model Number | DVU2120                      |                  |
|                  | DVU2115                      |                  |
|                  | DVU2105                      |                  |
|                  | DVU175                       |                  |
|                  | DVU175SS                     |                  |
|                  | DVU150                       |                  |
|                  | DVU150SS                     |                  |
|                  | 55000272                     | DVU2120 Seal Kit |
| 55000273         | DVU2120 Diaphragm Kit        |                  |
| 55000271         | DVU2115 Seal Kit             |                  |
| 55000273         | DVU2115 Diaphragm Kit        |                  |
| 55000270         | DVU2105 Seal Kit             |                  |
| 55000273         | DVU2105 Diaphragm Kit        |                  |
| 55000230         | DVU150/175 Seal Kit          |                  |
| 55000231         | DVU150/175 Diaphragm Kit     |                  |
| 55000255         | DVU150/175 End Seal Kit      |                  |
| 55000262         | DVU150SS/175SS Seal Kit      |                  |
| 55000231         | DVU150SS/175SS Diaphragm Kit |                  |

## Models

| Model    | Inlet | Outlet  | Trim Size inches (mm) | Working Max. Press. |
|----------|-------|---------|-----------------------|---------------------|
| DVU2120  | 2 NPT | 1 NPT   | 0.500 (12.7)          | 2000 psi            |
| DVU2115  | 2 NPT | 1 NPT   | 0.571 (14.5)          | 1500 psi            |
| DVU2105  | 2 NPT | 1 NPT   | 0.791 (20.09)         | 500 psi             |
| DVU175   | 1 NPT | 3/4 NPT | 0.359 (9)             | 1800 psi            |
| DVU175SS | 1 NPT | 3/4 NPT | 0.359 (9)             | 1800 psi            |
| DVU150   | 1 NPT | 1/2 NPT | 0.359 (9)             | 1800 psi            |
| DVU150SS | 1 NPT | 1/2 NPT | 0.359 (9)             | 1800 psi            |

Pressure vs. Flow (DVU150/175)



| Approximate Shipping Weight and Dimensions |                  |                                     |
|--|------------------|-------------------------------------|
| Model                                      | Weight           | Dimension                           |
| DVU150, DVU150SS, DVU175, DVU175SS,        | 9 lbs. (4 kg)    | 8 x 8 x 12 in. (203 x 203 x 305 mm) |
| DVU2105, DVU2115, DVU2120                  | 14 lbs. (6.4 kg) |                                     |

