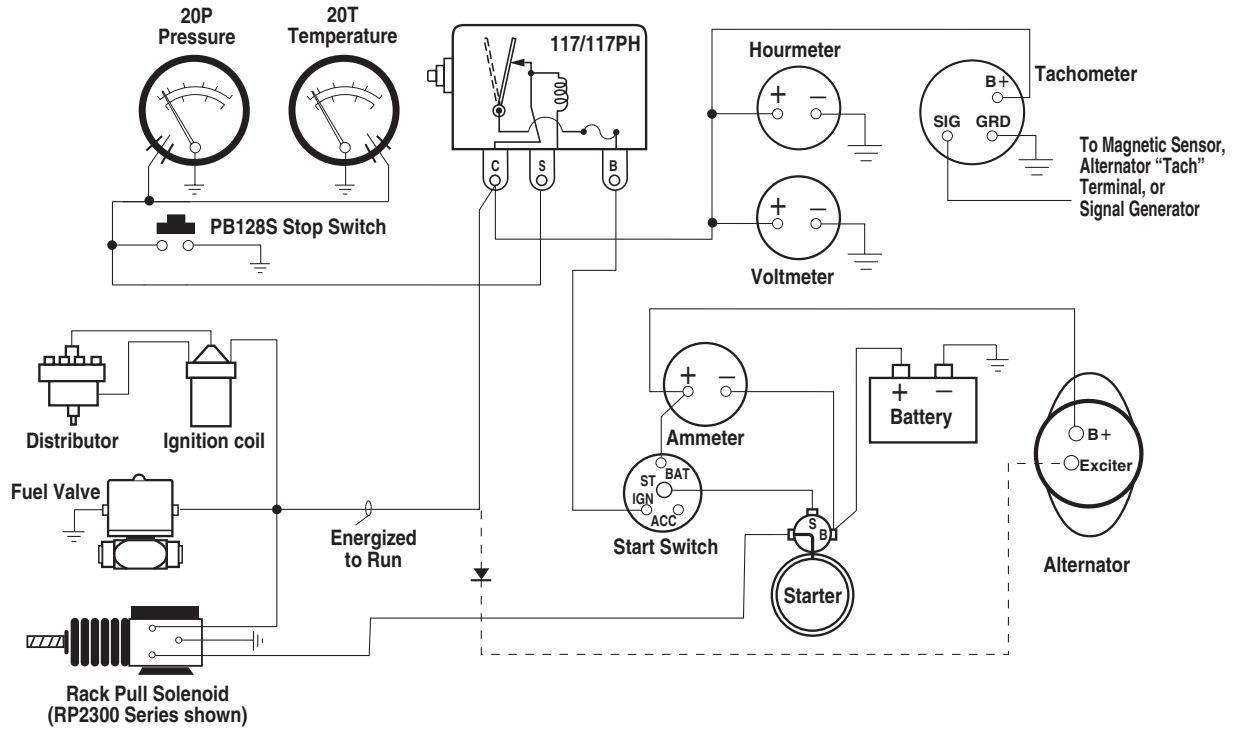


Typical Wiring Tech Sheet for Magnetic Switches and TATTLETALE® Annunciators

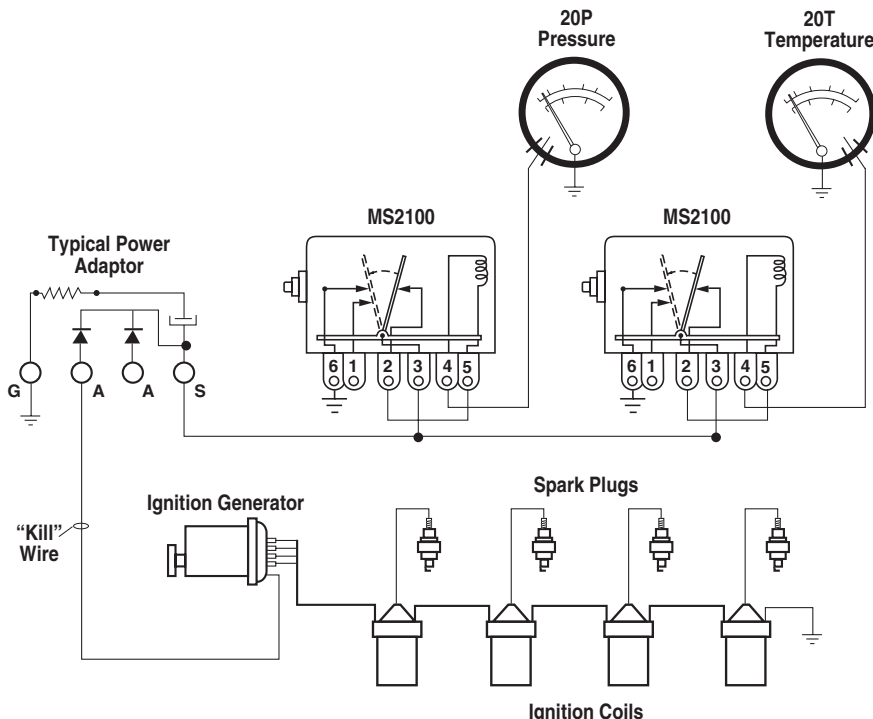
WIR-97020B
Revised 10-06
Section 25
(00-02-0257)



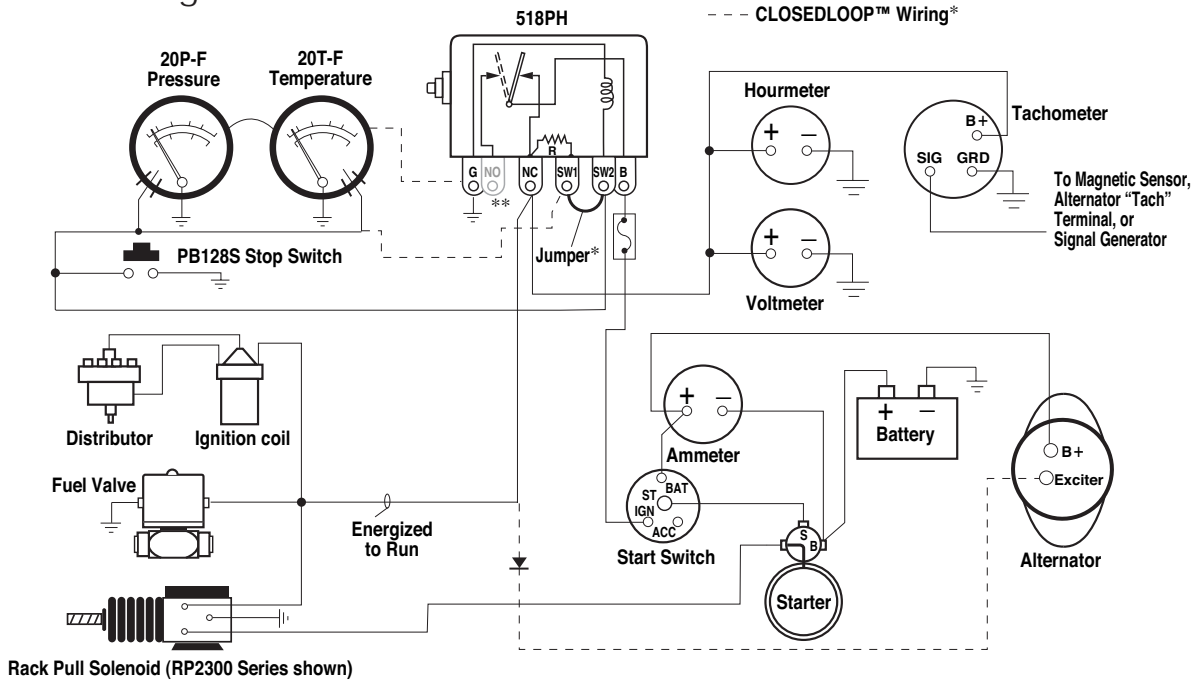
Typical Wiring Diagram with 117/117PH Magnetic Switch



Typical Wiring Diagram with MS2100 TATTLETALE®

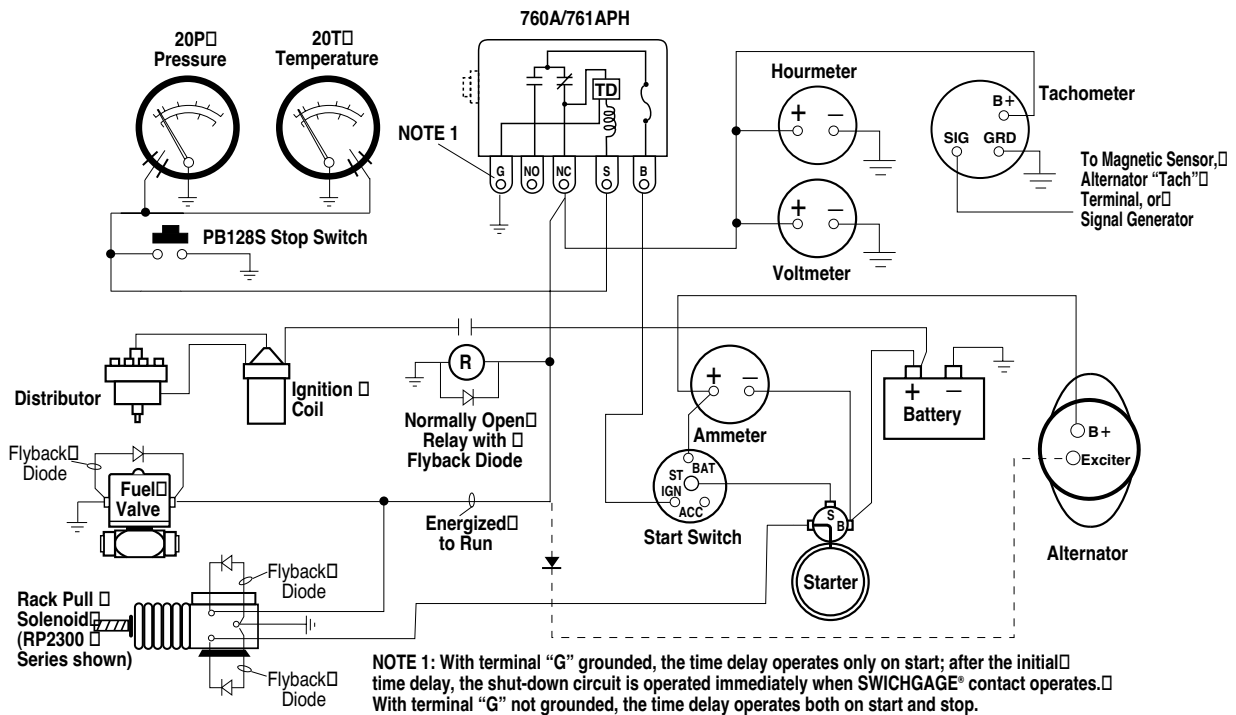


Typical Wiring with 518PH TATTLETALE®



*Jumper is to be removed when connecting a CLOSEDLOOP™ circuit.
 **Normally Opened terminal is available on the 518APH & 518E models.

Typical Wiring Diagram with 760A and 761APH



NOTE 1: With terminal "G" grounded, the time delay operates only on start; after the initial □ time delay, the shut-down circuit is operated immediately when SWICHGAGE™ contact operates. □ With terminal "G" not grounded, the time delay operates both on start and stop.

FW MURPHY
 P.O. Box 470248
 Tulsa, Oklahoma 74147 USA
 +1.918.317.4100 Fax: +1.918.317.4266
 E-mail: sales@fwmurphy.com

INDUSTRIAL PANEL DIVISION
 Fax: 918.317.4124
 E-mail: ipdsales@fwmurphy.com

MURPHY POWER IGNITION
 Web site: www.murphy-pi.com

www.fwmurphy.com

CONTROL SYSTEMS & SERVICES DIVISION
 P.O. Box 1819
 Rosenberg, Texas 77471 USA
 Phone: 281.633.4500 Fax: 281.633.4588
 E-mail: sales@fwmurphy.com
 Web site: www.fwmurphy.com

FRANK W. MURPHY, LTD
 Church Rd Laverstock
 Salisbury SP1 1OZ UK
 Phone: +44 1722 410055 Fax: +44 1722 410088
 E-mail: sales@fwmurphy.co.uk
 Web site: www.fwmurphy.co.uk

COMPUTRONIC CONTROLS, LTD
 41 - 43 Railway Terrace Nechells
 Birmingham B7 5NG UK
 Phone: +44 121 327 8500 Fax: +44 121 327 8501
 E-mail: info@computroniccontrols.com
 Web site: www.computroniccontrols.com

FW MURPHY INSTRUMENTS (HANGZHOU) CO. LTD
 77 23rd Street
 Hangzhou Economic & Technological Development Area
 Hangzhou, Zhejiang, 310018, China
 Phone: +86 571 8788 6060 Fax: +86 571 8684 8878

