

Pressure Control Pilots

PC48 Models

The PC48 is a rugged, economical pressure control pilot. It can be used anywhere pressure control of high pressure gas is required. When used in conjunction with a control valve, it may serve as either a back pressure regulator or pressure-reducing regulator. It can also be used to send a signal when the sense pressure goes above or falls below a given set point.

The standard PC48 is available as reverse acting. It functions by sensing a high-pressure signal and outputting a low-pressure signal when the high-pressure signal falls above the set point.

A direct-acting option is also available and works by outputting a low-pressure signal when the high pressure signal rises above the set point.

A NACE option is also available.

Specifications

Connections: 1/4" female NPT

Temperature Range:

-20° F to 400° F (-28° C to 204° C)

Set Pressure Range: 5 to 300 psi

Sensitivity:

1 psi sense pressure change corresponds to roughly

8 psi output pressure change

Weight: 16 lbs

Materials:

Body and Base: Steel

Bonnet: Ductile iron

Seats: Stainless steel

Main Spring: Carbon steel

Diaphragm:

Nylon reinforced Buna, nylon reinforced Viton® (optional)

Seals: Buna, Viton® (optional)



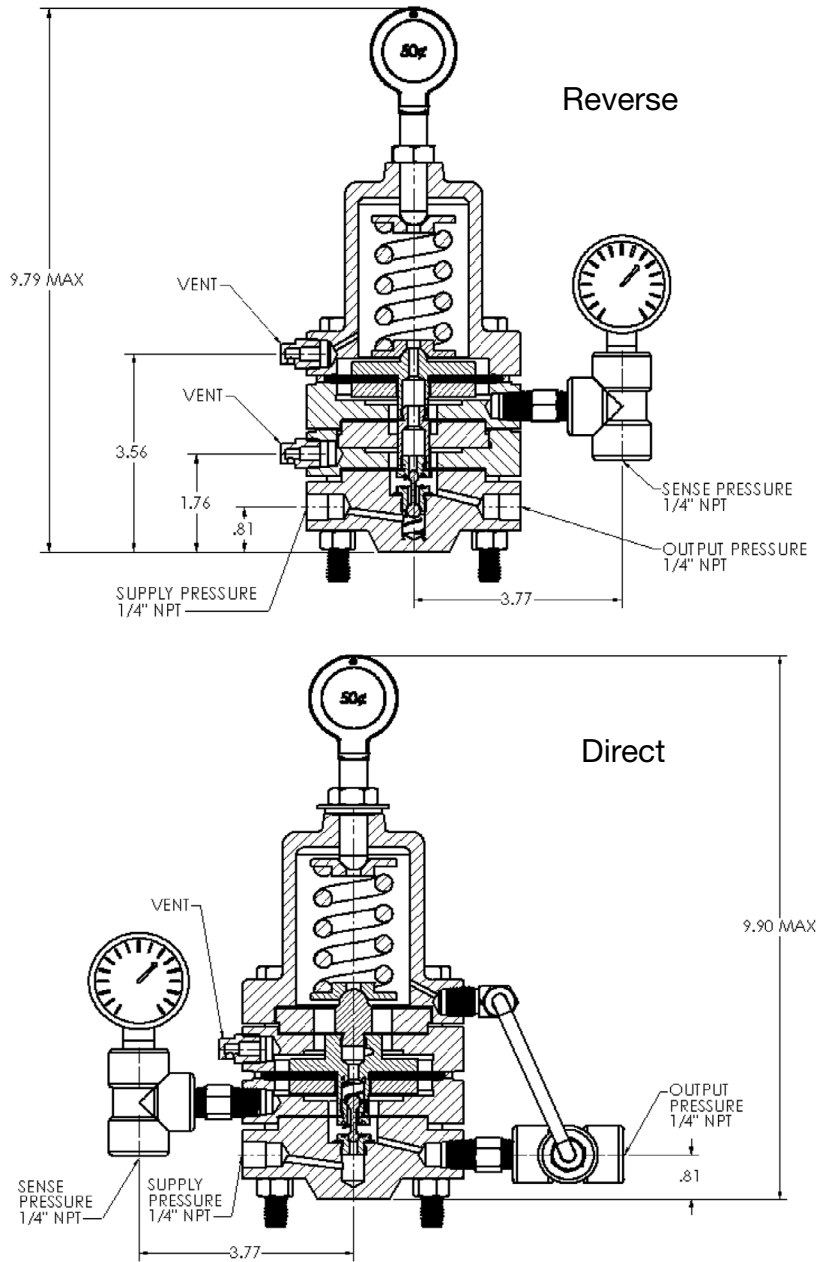
Reverse

All trademarks and service marks used in this document are the property of their respective owners. This Beaumont Manufacturing and Distribution Co. product is exclusively distributed for new equipment packages by FW Murphy in the Natural Gas Compression market.



Direct

Dimensions



How to Order

Options are listed below. All configurations may not be available. Call your sales representative or FW Murphy for more information. Repair kits are available.

Example Model No. **PC48-RB-150**

PC48 Series Pressure Control Pilot, Reverse Acting, Steel Body and Base, Ductile Iron Bonnet, Stainless Steel Seat, Nylon Reinforced Buna Diaphragm, Buna Seals, 150 psi Spring

PC48	-	R	B	-	150
		Actuator	Elastomer		
		D = Direct R = Reverse	B = Buna V = Viton®		
				Spring	
				150 = 150 psi 300 = 300 psi	

FW Murphy is the exclusive BMD distributor for new equipment packages.