

Hydrostatic Head level Switches DF Series

Installation and Operations Manual

Please read the following instructions and warnings before installation. Visually inspect the product for any damage that may have occurred during shipping.

Introduction

The DF series are diaphragm-operated hydrostatic head pressure level switches. A pressure-sensitive diaphragm operates a snap-switch that can be wired directly to electric pilot circuits to control pumps at predetermined levels. A typical application is starting and stopping electric driven pump(s) to maintain tank levels. This series of level switches can also be used with engine driven pumps.

The nitrile sensing diaphragm is impervious to most liquids and is sensitive enough to control levels with 1/4 in. (6 mm) repeatability. See the next section, Basic Operation, for limits of switch trip point adjustability. The case is aluminum with a glass-filled nylon bottom plate.

This is a highly reliable level switch and can be worked into almost any new or existing system without major modification or special tools.

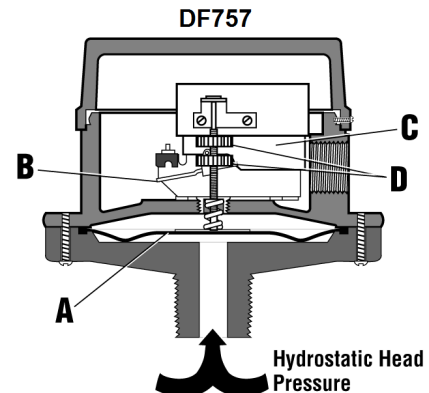
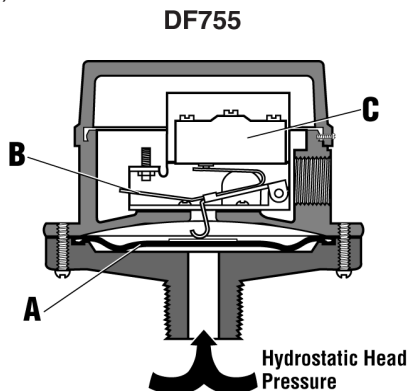
The DF755 and DF757 are suitable for atmospheric tanks in non-hazardous areas. The SPDT snap-switch for the DF755 is preset for a 4 in. (102 mm) differential in liquid level. The DF757 trip point is adjustable over a 108 in. (2743 mm) range.



Basic Operation

As the liquid level rises, hydrostatic head pressure is applied to the diaphragm (A), as shown below. The diaphragm moves upward pressing the actuator arm (B) to activate the snap-switch (C).

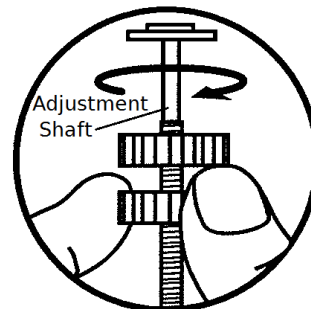
Model DF755 is factory set and operates at approximately 2 in. (51 mm) and 6 in. (152 mm) above the level at which the diaphragm is mounted. The trip point(s) for Model DF757 are adjustable between 2 in. (51 mm) and 110 in. (2794 mm) for high and low (make/break) operation by knobs (D).



Set Point Adjustment for the DF757

1. Locate the threaded adjustment shaft and adjustment knobs (see drawing).
2. To increase the low-level set point, rotate the lower knob counterclockwise.

NOTE: If the adjustment shaft turns when rotating the adjustment knobs, firmly grasp the adjustment shaft with a pair of needle nose pliers and then rotate the knob.



Typical Applications

This section covers some general situations where the rugged DF Series switches provide a simple-to-install solution.

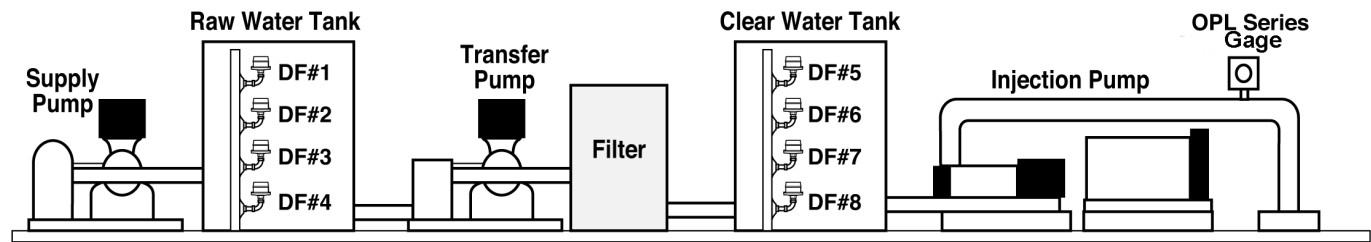
Applications include:

Water Flood Systems	Diesel Day Tanks
Crude Oil Tanks	Sumps
Saltwater Disposal Systems	Cooling Towers

Water Flood Control Systems

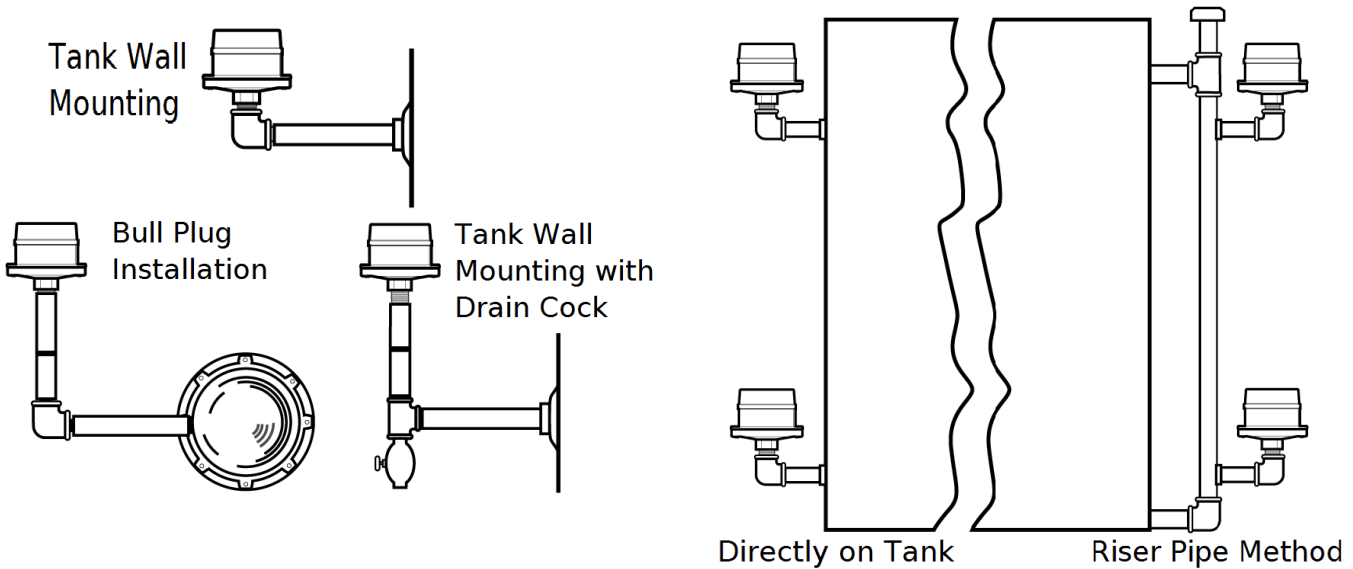
The diagram below displays eight DF Series switches installed on raw water and clear water tanks. When raw water rises to a predetermined level, DF#1 stops the supply pump. As tank level falls below the set level, DF#2 starts the supply pump. If the tank level continues to fall, DF#3 initiates a shutdown of the supply pump. DF#4 stops the transfer pump before the raw water tank is completely pumped out.

When clear water reaches the predetermined level, DF#5 stops the transfer pump. As tank level falls to the set low level, DF#6 starts the transfer pump. If the tank level continues to fall due to the failure of the filters section, DF#7 initiates shutdown of the transfer pump. (A DF755 located at this level will also operate backwash equipment.) DF#8 stops the injection pump before tank pumps completely out. An OPL Series Pressure Gage stops the injection pump when pressure reaches an established high or low pressure.



Typical Tank Mounting

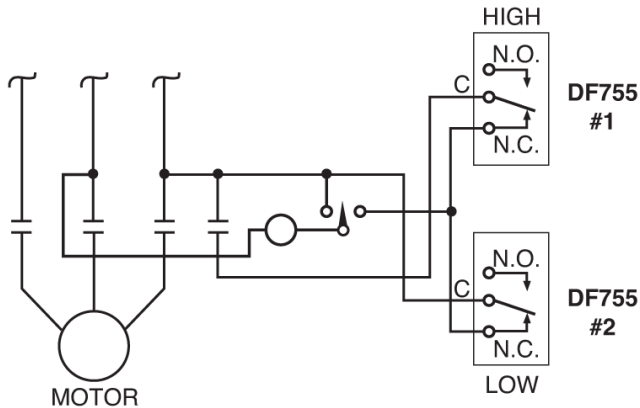
The following graphics show different methods of mounting DF755 switches in tank applications.



Typical Wiring Diagrams

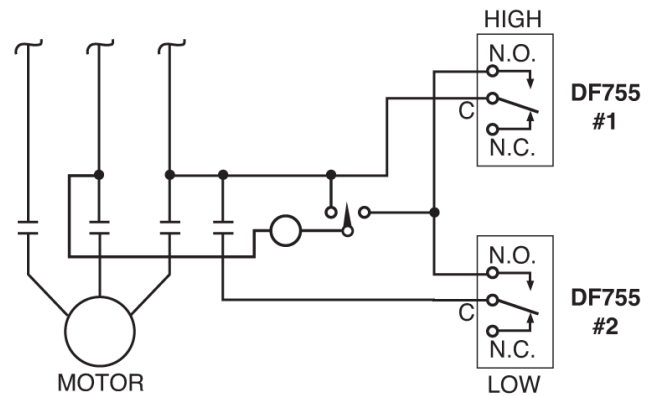
Starts at Low Level, Stops at High

Start motor when predetermined low level is reached and stop when high level is reached. Keeps tank level within selected limits. Motor starter is equipped with Hands Off Auto (HOA).



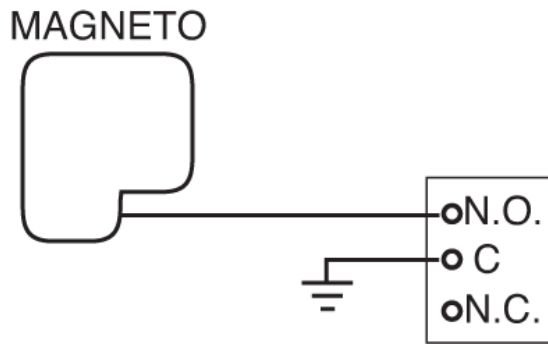
Starts at High Level, Stops at Low

Start motor when predetermined high level is reached and stop when low level is reached. Motor starter equipped with HOA.



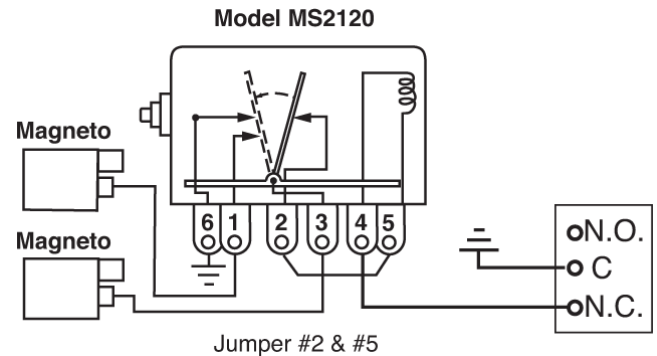
Single Magneto Shutdown

Wiring of magneto to Normally Open (NO) switch terminal shuts engine down at a predetermined high level (Shown at right). Wire to Normally Closed (NC) terminal to shut down on low level.



Dual Magneto Shutdown

Shutdown dual magneto engines using an FW Murphy MS2120 Magnetic Switch. Diagram at right shows hookup for low-level shutdown. Wiring changes and mounting locations are necessary for high-level shutdowns.



Specifications

Snap-switch Ratings

SPDT

5 A @ 125, 250 or 480 VAC

1/2 A @ 125 VDC, 1/4 A @ 250 VDC

Case/Lid: Aluminum

Bottom Plate: Glass-filled Nylon

Process Connection: 1 NPT

Maximum Pressure Rating: 25 psi (172 kPa [1.72 Bar])

Conduit Connection (electrical): 1/2 NPT

RoHS Compliant

Installation of Volume Air Cell

This section provides installation and operation information for using a DF755 level switch with an FW Murphy MAC1 Volume Air Cell.

Overview

When attached to the DF755 level switch, the MAC1 Volume Air Cell can monitor water levels on a sump, activate alarms or start a pump directly. The MAC1 Volume Air Cell is non-corrosive. Stainless steel 1/4-20 mounting studs are provided with the unit. The MACT1 Tubing Kit provides 4 ft. (1.2 m) of flexible, non-corrosive 1/4 in. (6 mm) tubing (cut to fit). The kit also includes fittings necessary to attach tubing.

Volume Cell Operation

As liquid rises around the volume cell, it compresses the air inside the cell and forces it up in the sensor line. As the water level continues to rise, the air pressure increases. In time, sufficient pressure is applied to activate the internal snap-switch, which starts the pump. As the liquid level is pumped down, pressure decreases, the snap-switch reverses, and the pump stops. The pump is held in a standby condition. An air purge may be required in the sensor line. For additional information, consult FW Murphy.

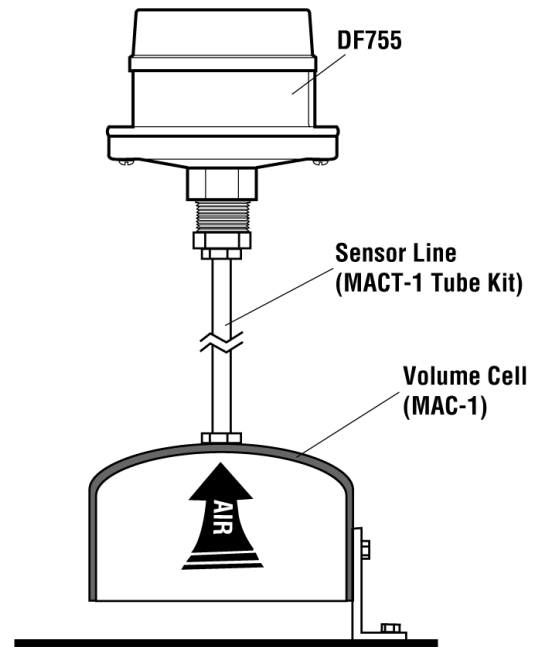
Choosing a Volume Cell

The volume cell should be constructed of material which will be unaffected by the liquid being measured. For proper pressure to level ratio, the minimum dimensions of the volume cell should be 6 in. (152 mm) inside diameter and 3 in. (76 mm) inside depth. The sensor line can be of any diameter or material either flexible or solid, as long as it is of sufficient length to reach from the volume cell to the desired location for the DF755. All fittings and connections should be airtight to avoid loss of charge. Tube lengths longer than 4 ft. (1.2 m) should have a provision for intermittent air purging.

Installation of the Volume Cell

Install the volume cell with reference to the level at which you wish the pump to start and stop. Secure the volume cell with a substantial bracket that will not allow the cell to float or tilt when the water level rises. Install the DF755 well above the highest water level and in a position that allows access for adjustment or repairs.

NOTE: Periodically operate the pump manually until the water level reaches a point approximately 1/2 in. (13 mm) below the bottom of the Volume Cell. This automatically recharges the unit and compensates for normal absorption of air into water. Small electric air pumps are available to automatically charge the system continuously.



Service Parts

DF755

Description	Part Number
Cover (Aluminum)	15050081
Case (Aluminum)	15050082
Cover Screws (3), #6-32 x 5/16 Round Head	80040607
SPDT Snap-Switch and Movement Assembly/Repair Kit (5 amp)	15000122
Screws (3) for Switch Assembly to Case, #6-32 x 1/4 Round Head	80040605
Diaphragm Repair Kit	15000123
Bottom Plate (1 NPT Connection)	15050083
Bracket and Movement Repair Kit	15000313
SPDT Snap-Switch and Insulator Repair Kit (5 amp)	15000121

FW MURPHY PRODUCTION CONTROLS

SALES, SERVICES & ACCOUNTING
4646 S. HARVARD AVE.
TULSA, OK 74135

CONTROL SYSTEMS & SERVICES
2151 RANDON DYER ROAD
ROSENBERG, TX 77471

MANUFACTURING
5757 FARINON DRIVE
SAN ANTONIO, TX 78249

DOMESTIC SALES & SUPPORT

FW MURPHY PRODUCTS
PHONE: 918 957 1000
EMAIL: INFO@FWMURPHY.COM
WWW.FWMURPHY.COM

FW MURPHY CONTROL SYSTEMS & SERVICES
PHONE: 281 633 4500
EMAIL: CSS-SOLUTIONS@FWMURPHY.COM

DF757

Description	Part Number
Cover (Aluminum)	15050081
Case (Aluminum)	15050594
Cover Screw (3), #6-32 x 5/16 Round Head	80040607
SPDT Snap-Switch and Bracket Assembly/Repair Kit (5 amp)	15000174
Screws (2) for Switch Bracket and Assembly to Case (#6-32 x 1/4 Round Head)	80040605
Spring and Piston Assembly/Repair Kit	15000190
Diaphragm repair kit	15000123
Bottom Plate (1 NPT Connection)	15050083

INTERNATIONAL SALES & SUPPORT

CHINA
PHONE: +86 571 8788 6060
EMAIL: INTERNATIONAL@FWMURPHY.COM

LATIN AMERICA & CARIBBEAN
PHONE: +1 918 770 8775
EMAIL: INTERNATIONAL@FWMURPHY.COM

SOUTH KOREA
PHONE: +82 70 7951 4100
EMAIL: INTERNATIONAL@FWMURPHY.COM



FM 668576 (San Antonio, TX - USA)
FM 668933 (Rosenberg, TX - USA)



FM 523851 (China) TS 589322 (China)